

# TELESCOPIC FORKLIFT FT50



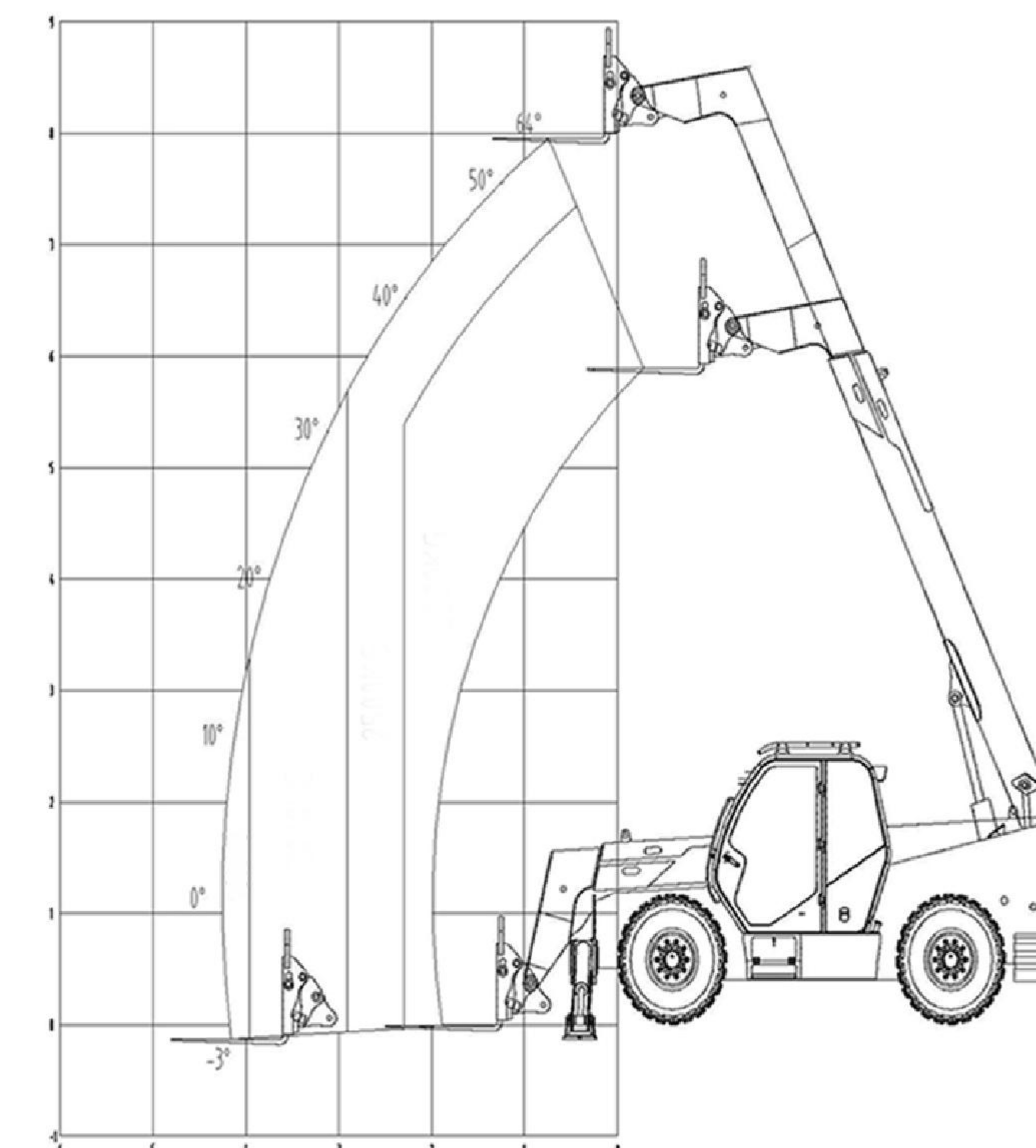
| Parameters          |             |
|---------------------|-------------|
| Rated load          | 5T          |
| Max. lifting height | 7m          |
| Max. forward reach  | 6.8m        |
| Overall length      | 6.08m       |
| Overall width       | 2.26m       |
| Overall height      | 2.54m       |
| Wheelbase           | 3.3m        |
| Ground Clearance    | 0.4m        |
| Turning radius      | 4m          |
| Unladen weight      | 1.1T        |
| Cab width           | 0.9m        |
| Tyre                | 16/70-24    |
| Fork                | 1200×125×45 |

| Lifting capacity         |      |
|--------------------------|------|
| Lifting                  | 7.2s |
| Lowering                 | 5.5s |
| Extend                   | 6.5s |
| Retraction               | 5.4s |
| Up tilt (fill load)      | 4s   |
| Down tilting (unloading) | 4s   |

| Engine      |        |
|-------------|--------|
| Model       | Yuchai |
| Power       | 73.5kw |
| Max. torque | 350N.m |

| Tank capacity |      |
|---------------|------|
| Hydraulic oil | 450L |
| Diesel oil    | 260L |

| Transmission       |  |
|--------------------|--|
| Transmission type  | Torque converter                         |
| Number of gears    | 4 front/3 rear                           |
| Max. driving speed | 34km/h                                   |
| Braking form       | Twin axle oil-actuated multi-disc brakes |



## APPLICATION

1. It can be used for unpacking, loading fork or lifting operations of palletized materials in containers, and for loading and unloading, stacking and short-distance handling of various types of containerized materials.
2. It is suitable for working in a variety of working environments, and is an ideal equipment for loading, unloading, lifting and transportation in industries such as industrial and mining, enterprises, construction, building materials, ports, and municipal engineering.
3. Equipped with various attachments such as buckets, hooks, booms, etc., providing great flexibility and the ability to work in a variety of applications.
4. The loading and unloading height and off-road performance of the model are unmatched by ordinary forklifts.

## PRODUCT FEATURES

1. Can do everything or more that ordinary forklifts can do, reduce costs, save time, fuel, manpower and space
2. The engine is of reliable quality, easy to start in winter, has fuel-saving technology, is easy to maintain, and meets the requirements of European III and EPA III emission regulations.
3. The rack can be tilted at a large angle, making it easier and safer to handle unpalletized goods.